

Hoshizaki America, Inc.

Condensing Unit Serenity Series

Models
SRK-8H/3



“A Superior Degree
of Reliability”

www.hoshizaki.com

PARTS LIST



Number: 71325
Issued: 5-17-2011

CONTENTS

Auxiliary Codes.....	3
Note About Ordering Parts	3
A. Condensing Unit and Refrigeration Circuit	4
B. Control Box Assembly.....	6
SRK-8H	6
SRK-8H3	7
C. Label Location	8
D. Accessories & Packaging	9

Auxiliary Codes

SRK-8H A-0 March 2011

SRK-8H3 A-0 May 2011

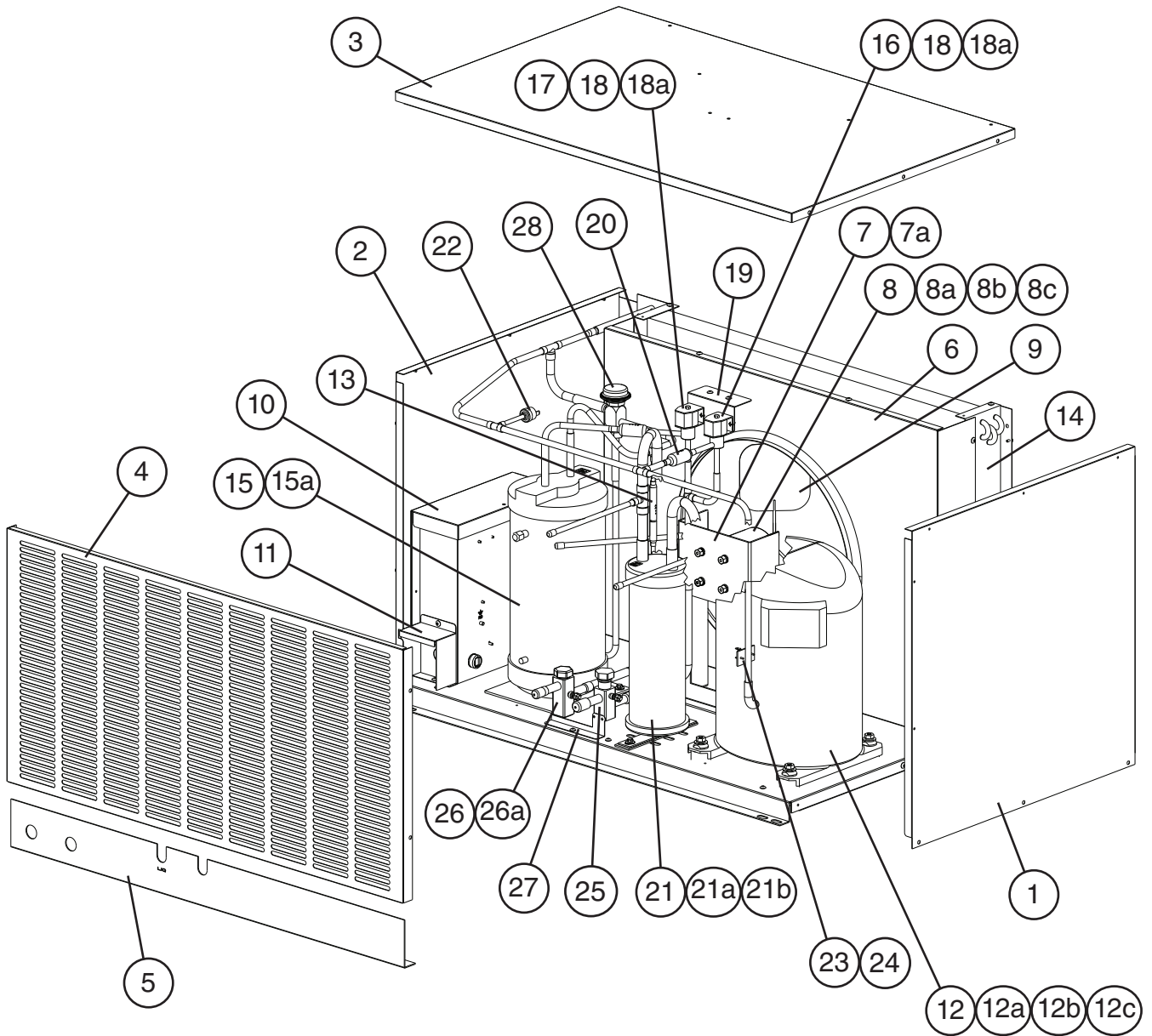
Auxiliary Code Breakdown

The auxiliary code is the first two characters in the serial number. The first character indicates the year. Years progress or regress in alphabetical order. The series runs from "A" through "V" and the letters "I" and "O" are skipped. The second character indicates significant part changes within a year. Base is "0" and this number advances for each change. In cases where there is a letter in parentheses, this designates the month. This is the last character in the serial number. The series runs from "(A)" through "(M)" and the letter "(I)" is skipped. This designation is only included when identifying a parts change within an auxiliary code.

Note About Ordering Parts

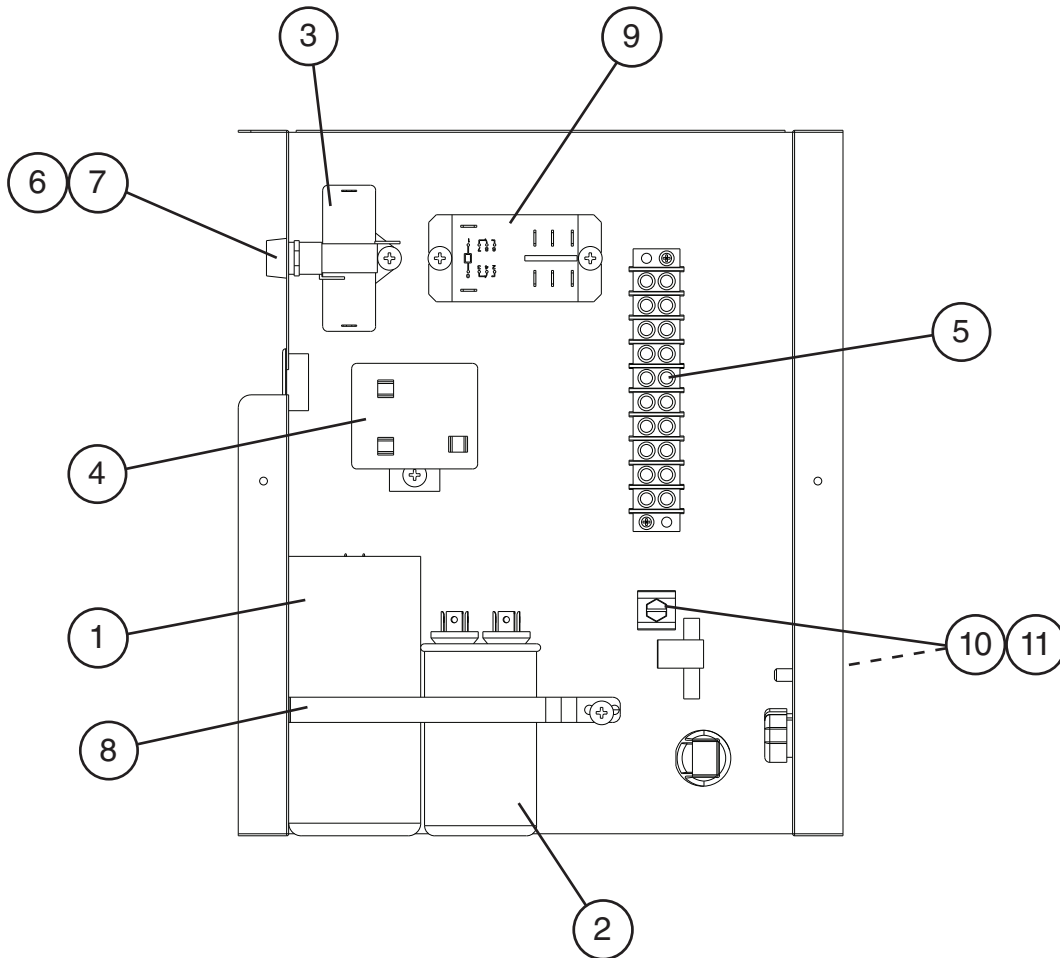
Most assemblies cannot be ordered as complete units; parts in the assemblies generally must be ordered separately.

A. Condensing Unit and Refrigeration Circuit
SRK-8H, SRK-8H3
A-0



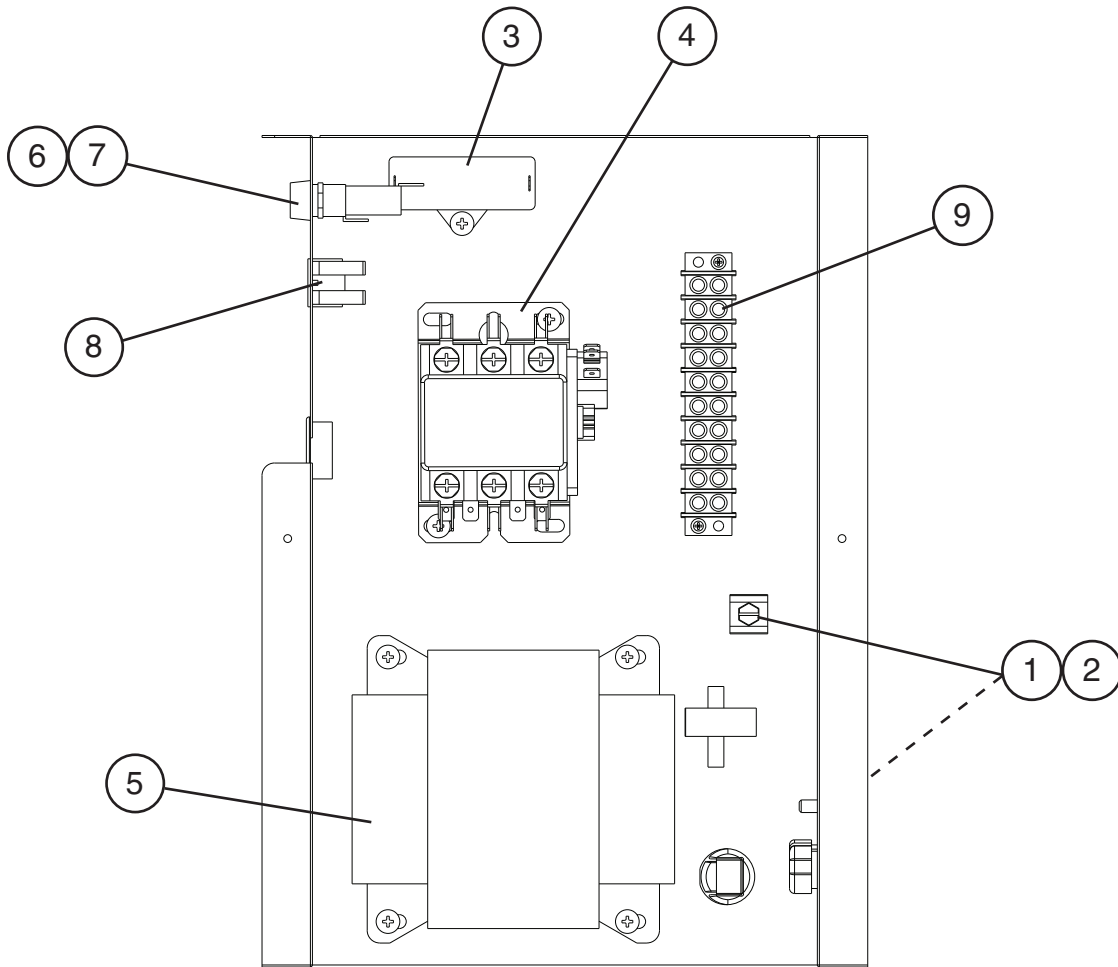
Title: A.Condensing Unit and Refrigeration Circuit Model: SRK-8H, SRK-8H3												
Index No.	Description	Material or Model Number	Part Number	Required Number								
				A-0								
Condensing Unit Order Assembly Parts Individually		SRK-8H	1A2100A01	1								
		SRK-8H3	1A2100A02	1								
1	Right Side Panel		2A6245-01	1								
2	Left Side Panel		2A6246-01	1								
3	Top Panel		2A6248-01	1								
4	Louver Panel		2A6247-01	1								
5	Front Frame		3A6245-01	1								
6	Shroud		2A3869-01	1								
7	Fan Motor Bracket		330800-01	1								
7a	Hex Head Bolt w/Washer	5x12, SS	7B0230512	4								
8	Fan Motor		4A3201-01	1								
8a	Split Lock Washer	8	7L2110800	4								
8b	Hex Nut	8-32	7N0110832	4								
8c	Flat Washer	8	7W2110800	4								
9	Fan Blade		4A1493-01	1								
10 Control Box Cover		SRK-8H	3A6387-01	1								
		SRK-8H3	3A6459-01	1								
11	Junction Box		4A5301-01	1								
Refrigeration Circuit Order Assembly Parts Individually		SRK-8H	1A2145A01	1								
		SRK-8H3	1A2145A02	1								
12 Compressor		SRK-8H	4A1539-02	1								
		SRK-8H3	4A5339-01	1								
12a	Spacer		434921-01	4								
12b	Grommet		434922-01	4								
12c	Bolt Assembly	8x45	437889-01	4								
13	Check Valve		4A1373-01	1								
14	Condenser		1A1231-01	1								
15	Receiver		438209-01	1								
15a	Hex Head Bolt w/Washer	5x12, SS	7B0230512	3								
16	Hot Gas Valve Body		4A3978-01	1								
17	Line Valve Body		4A3276-01	1								
18	Valve Coil		4A3277-01	2								
18a	Bolt		4A3277F01	2								
19	Hot Gas Valve/Line Valve Bracket		4A5223-01	1								
20	Strainer		441569-02	2								
21	Accumulator		3A4276-01	1								
21a	Accumulator Spacer		4A3599-01	1								
21b	Hex Head Bolt w/Washer	5x12, SS	7B0230512	2								
22	High-Pressure Switch		463180-01	1								
23	Thermostat		440664-01	1								
24	Thermostat Bracket		435635-01	1								
25	Suction Line Shutoff Valve		4A3490-01	1								
26	Liquid Line Shutoff Valve		4A2215-01	1								
26a	Hex Head Bolt	1/4-20x1/2	7B011420	1								
27	Shutoff Valve Bracket		4A5224-01	1								
28	Headmaster (C.P. Regulator)		4A0229-02	1								

B. Control Box Assembly
SRK-8H
 A-0



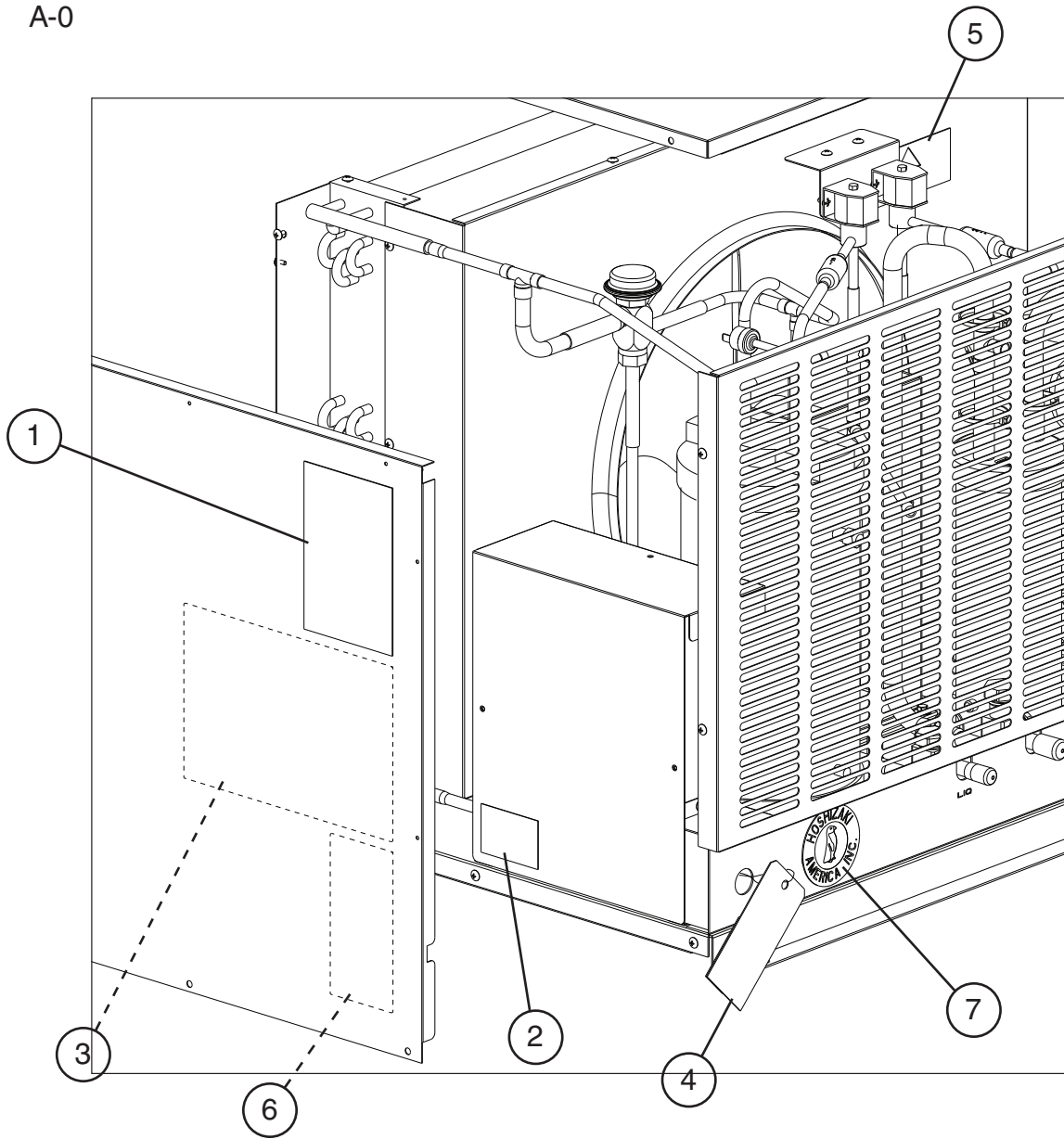
Title: B. Control Box Assembly		Model: SRK-8H		Required Number											
Index No.	Description	Material or Model Number	Part Number	A-0											
Control Box Assembly			3A6253A01	1											
Order Assembly Parts Individually															
1	Start Capacitor	145-174MFD, 220VAC	3A0076-11	1											
2	Run Capacitor	30MFD, 370VAC	3A2005-03	1											
3	Fan Motor Capacitor	10MFD, 250VAC	443192-01	1											
4	Start Relay		4A1107-13	1											
5	Terminal Block		4A4201-01	1											
6	Fuse Holder		4A3449-01	1											
7	Fuse	10A, 250VAC	4A0893-07	1											
8	Strap		4A2262-05	1											
9	Compressor Relay		4A5096-01	1											
10	Ground Screw		433304-02	2											
11	Square Washer		433537-02	2											

B. Control Box Assembly
SRK-8H3
A-0



Title: B. Control Box Assembly Model: SRK-8H3													
Index No.	Description	Material or Model Number	Part Number	Required Number									
				A-0									
Control Box Assembly			3A6458A01	1									
Order Assembly Parts Individually													
1	Ground Screw		433304-02	2									
2	Square Washer		433537-02	2									
3	Fan Motor Capacitor	10MFD, 250VAC	443192-01	1									
4	Magnetic Contactor		4A0794-01	1									
5	Main Transformer		4A0817-01	1									
6	Fuse	10A, 250VAC	4A0893-07	1									
7	Fuse Holder		4A3449-01	1									
8	Slide Switch		4A1477-01	1									
9	Terminal Block		4A4201-01	1									

C. Label Location
SRK-8H, SRK-8H3
 A-0



Title: C. Label Location		Model: SRK-8H, SRK-8H3		Required Number										
Index No.	Description	Material or Model Number	Part Number	A-0										
Label Location		SRK-8H	2A6409A01	1										
		SRK-8H3	2A6409A02	1										
Order Assembly Parts Individually		SRK-8H	3A6272-01	1										
		SRK-8H3	3A6272-02	1										
1	Nameplate													
2	Fuse Label		4A4609-01	1										
3	Wiring Label		3A6273-01	1										
4	Warning Tag: Electrical Connection	SRK-8H	4A4801-01	1										
		SRK-8H3	4A4807-01	1										
5	Warning Label (F)		4A4767-01	1										
6	Warning Label (H)		4A4795-01	1										
7	Penguin-HA-R Label		4A0526-01	1										

D. Accessories & Packaging
SRK-8H, SRK-8H3
 A-0

Title: D. Accessories & Packaging		Model: SRK-8H, SRK-8H3		Required Number										
Index No.	Description	Material or Model Number	Part Number	A-0										
1	Leg		2A3166G01	2										
1a	Hex Head Bolt w/Washer	8x16, SS	7B0230816	8										
1b	Hex Nut	M8, SS	7N12-0800	8										
	Packaging		2A6281A01											